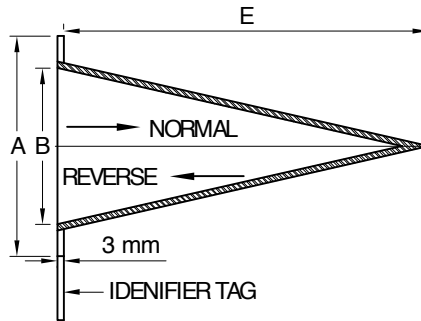


BASKET TYPE (TB)



CONICAL TYPE (TC)

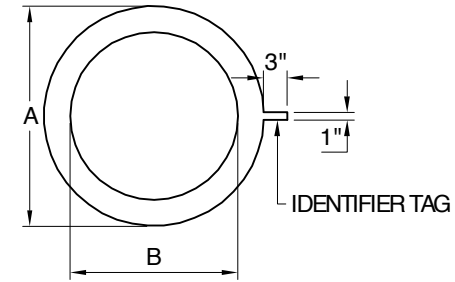


PLATE TYPE (TP)

DIMENSIONS

Size	A (O.D.)		B (I.D.)	C	D (Basket Length)		E (Cone Length)	
	150/300 #	600 #			150%	200%	150%	200%
20	54	64	16	8	29	38	43	57
25	64	70	19	10	43	57	64	84
40	83	92	32	16	57	76	86	114
50	102	108	44	22	76	102	114	152
65	121	127	57	29	86	114	127	170
80	133	146	70	35	108	145	159	216
100	171	191	95	48	135	183	200	270
125	194	238	117	59	171	232	257	356
150	219	263	137	68	216	289	330	432
200	276	318	187	94	272	381	406	559
250	337	397	238	119	356	457	508	686
300	406	454	279	140	432	559	610	838
350	441	483	311	156	457	610	686	914
400	511	555	356	178	533	711	787	1041
450	540	603	400	200	610	813	889	1194
500	597	676	445	222	686	889	991	1346
600	708	784	540	270	813	1067	1194	1600

NOTE :- ALL DIMENSIONS ARE IN mm IF NOT SPECIFIED.

CLIENT :- -			
P.O.No :- ---			
SCALE :- -	SHEET :- 1:1	DRAWING No.	REV.
FILE :- 01	DATE :- 11/06/2011	AFSTSD	00
TITLE :- TEMPORARY STRAINER		PROJECTION :-	
 www.strainersindia.com	L - 153 ,	NAME	DATE
	Nr.WATER TANK,	ACAD BY	HDS 11/06/11
	G.I.D.C. ODHAV,	CHED BY	AM 11/06/11
AHMEDABAD.	APPD BY	RS 11/06/11	