



**ACME**  
FLUID SYSTEMS



AN ISO 9001:2008

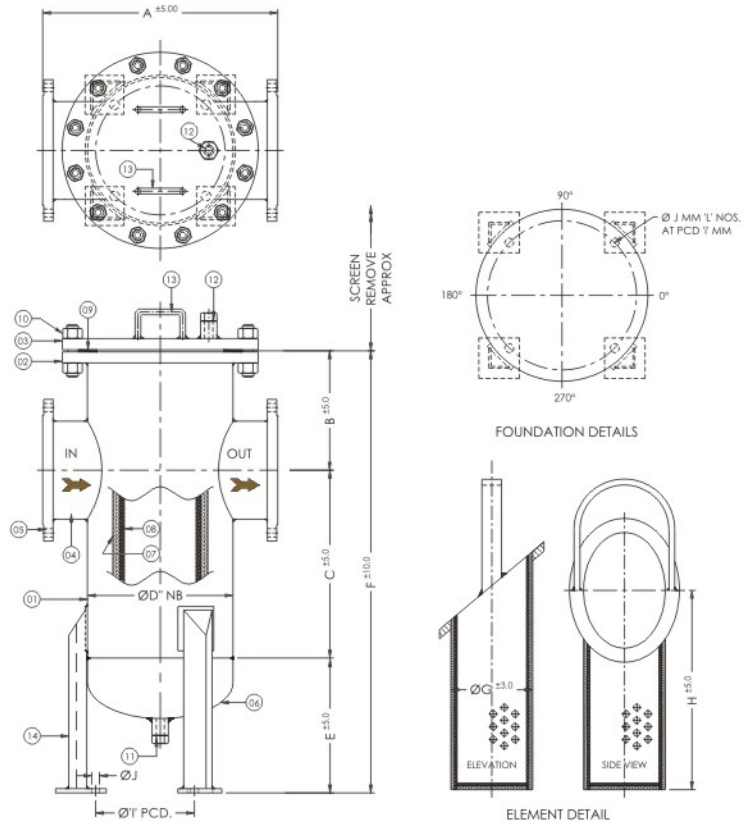


- ▶ Simplex Basket Strainers
- ▶ Duplex Basket Strainers
- ▶ Quick Opening Casted Basket Strainers
- ▶ Bag Filter Housings
- ▶ Y Type Strainers
- ▶ T Type Strainers
- ▶ Temporary Strainers
- ▶ Filtration Systems

**OUR PRECISION**  
YOUR ADVANTAGE

[www.strainersindia.com](http://www.strainersindia.com)

## Simplex Basket Strainer



- ▶ **Size :** 1" to 60" Flanged End/Buttweld End
- ▶ **Moc :** Carbon steel, Stainless steel or Alloy steel
- ▶ **Pressure Rating :** 150# to 2500#
- ▶ **Features :**
  - More open area for debris collection.
  - Dimensions can be modified to suit customer requirements.
  - Vent and drain provided on all strainers.
- ▶ **Options :**
  - Bolted, quick opening hinged cover or davit assembly.
  - Steam jacket for highly viscous fluids.
  - Magnetic screen inserts.
  - Pressure differential gauge and switch connections.
  - Pleated filter elements for more filtration.
- ▶ **Special levels of NDE and material testing**

### #Dimension for 150 Class Strainers

Size	Dimension		Element	PCD	Hole	No. of Leg	Screen Removal Approx						
INCH	MM	A	B	C	ØD	E	F	ØG	H	ØI	ØJ		
1"	25	300	125	140	4"	-	-	65	150	-	-	-	280
1-1/2"	40	325	150	205	6"	-	-	105	230	-	-	-	400
2"	50	325	150	205	6"	-	-	105	230	-	-	-	400
2-1/2"	65	350	150	205	6"	-	-	105	230	-	-	-	400
3"	80	350	160	220	6"	-	-	105	240	-	-	-	420
4"	100	400	175	275	6"	-	-	150	290	-	-	-	485
5"	125	485	215	285	10"	350	850	205	300	240	18	3	535
6"	150	500	225	300	10"	350	875	205	35	240	18	3	570
8"	200	550	305	410	12"	360	1075	240	450	270	20	3	775
10"	250	670	350	500	14"	385	1235	305	525	285	20	3	840
10"	250	750	305	515	16"	385	1205	320	525	335	20	3	850
12"	300	825	325	565	18"	475	1365	390	600	400	22	3	945
14"	350	875	350	710	20"	525	1585	430	750	455	22	3	1120
16"	400	1000	400	870	24"	525	1795	520	880	555	25	4	1320
18"	450	1076	425	920	24"	600	1945	480	975	555	25	4	1420
20"	500	1075	507	1200	24"	645	2352	480	1250	555	25	4	1777
24"	600	1410	550	1215	30"	650	2415	660	1250	707	25	4	1820

\*We are in continuous process of improving our designs, please refer to certified drawings before placing order.

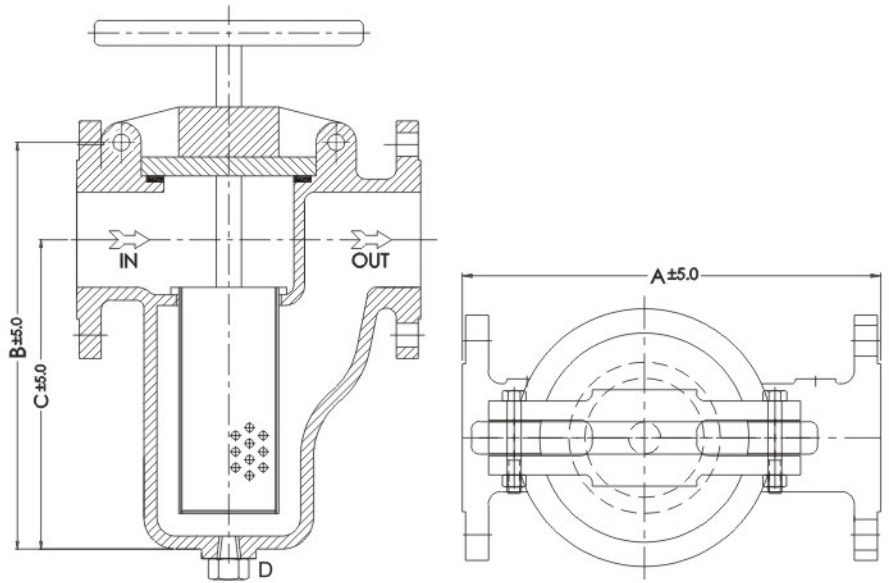
## Duplex Basket Strainer

- ▶ **Size :** 1/2" to 2" Threaded Ends  
1" to 24" Flanged Ends
- ▶ **Moc :** Carbon steel, stainless steel or alloy steel.
- ▶ **Features :**
  - Continuous Flow- No shut Down for Cleaning.
  - Single lever operation for safety and simplicity.
  - Higher degree of filtration area.
  - Butterfly or 3 way ball valve design.
- ▶ **Options :**
  - Bolted, Quick Opening hinged cover or davit assembly.
  - Magnetic Screen Inserts.
  - Pressure differential gauge and switch connections.
  - Pleated Filter elements for More Filtration.
  - Steam jacketing for highly viscous fluids.
- ▶ **Special levels of NDE and material testing**





## Quick Opening Casted Basket Strainers



- ▶ **Size :**
  - 1/2" to 2" Screwed/Socket Weld Ends
  - 3/4" to 12" Flanged End Connection
- ▶ **MOC :**
  - Cast steel, stainless steel or alloy steel.
- ▶ **Features :**
  - Quick open cover-no tools needed.
  - Integrally cast housings.
  - Flow is from inside to outside the basket to trap and retain debris.
  - Threaded drain.
  - Large screen area ensures efficient filtration with low pressure drop.
- ▶ **Options :**
  - Viton, PTFE-encapsulated, or EPDM seals.
  - Pleated baskets for high filtration areas.
  - Magnetic screen insert.
  - Supplied with equipment such as DP gauges and switches, valves for vent and drains etc.

#Dimension for 150 Class Strainers

Size		Dimension				Drain
INCH	MM	A	B	C		
1 1/2"	40	200	260	182	3/4" NPT	
2"	50	260	305	227	1" NPT	
3"	80	300	330	250	1" NPT	
4"	100	455	495	370	1" NPT	
6"	150	570	639	475	1" NPT	
8"	200	705	788	590	1 1/2" NPT	
10"	250	850	905	680	1 1/2" NPT	
12"	300	975	1080	805	2" NPT	
16"	400	1150	1410	1120	2" NPT	

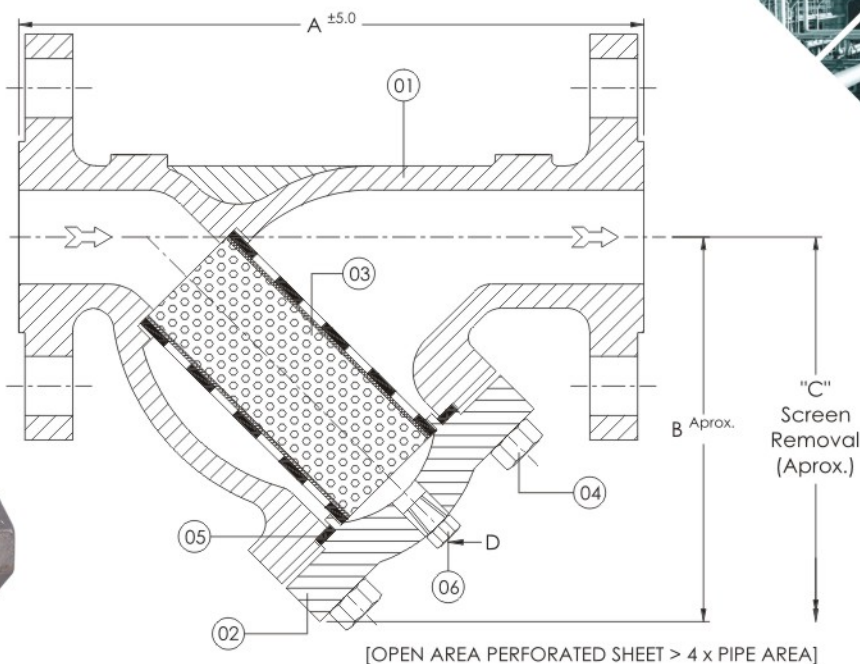
\*We are in continuous process of improving our designs, please refer to certified drawings before placing order.

## Bag Filter Housings

- ▶ **Suitable for Bag Dimensions :**
  - Dia 4" x 10" long Bag filter
  - Dia 4" x 17" long Bag filter
  - Dia 7" x 17" long Bag filter
  - Dia 7" x 32" long Bag filter
- ▶ **Features :**
  - Highly durable SS 304/SS 316 material.
  - Positive sealing arrangement to avoid by passing.
  - Lower pressure drop & high flow rates.
  - Multiple bag filter/duplex bag filter unit designs available.
  - Housings can be designed for custom bag size.
- ▶ **Housings for Single Bags / Multiple Bags**



## Y Type Strainers



- ▶ **Size :**  
 ¼" to 2" Screwed Ends/Socket Weld ends  
 ½" to 16" Flanged ends/ Buttweld Ends

- ▶ **MOC :**  
 Cast steel, stainless steel or alloy steel.

- ▶ **Features :**
  - Compact design.
  - Horizontal or vertical installation.
  - Large screening capacities.
  - Precision machined seats.
  - Bolted cover with blow off drain connection.

- ▶ **Options :**
  - Larger size and pressure ratings.
  - D.P. Tappings/Gauge.
  - Magnetic screen insert.
  - Special finish/linings.
  - Pleated filter elements for more filtration area.

#Dimension for 150 Class Strainers

SIZE		DIMENSIONS				SCREEN AREA (CM <sup>2</sup> )	WEIGHT KGS (APPROX.)
INCH	MM	A	B	C	D(Inch)		
1"	25	165	100	155	½"	77	4
1½"	40	203	118	180	½"	120	6.5
2"	50	229	145	225	½"	189	10
2½"	65	279	159	250	½"	274	16
3"	80	318	200	315	½"	452	24
4"	100	368	302	490	½"	742	46
5"	125	425	312	495	¾"	1120	56
6"	150	470	330	520	¾"	1456	75
8"	200	597	450	715	¾"	2666	120
10"	250	673	560	910	¾"	3923	205
12"	300	775	675	1110	¾"	6033	345
14"	350	860	759	1245	¾"	7850	480
16"	400	1125	984	1650	1"	10178	570

\*We are in continuous process of improving our designs, please refer to certified drawings before placing order.

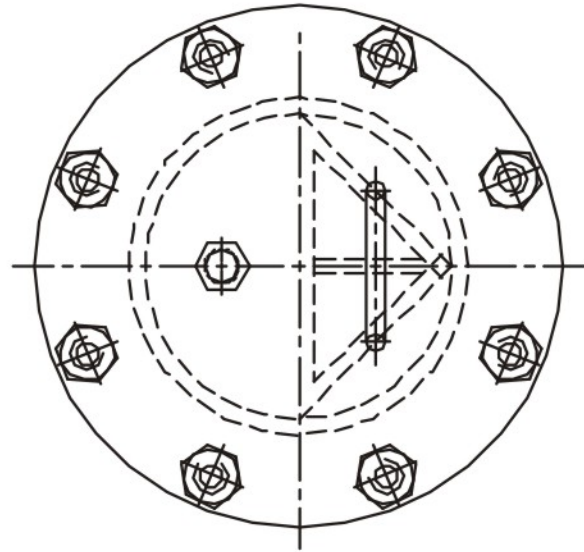
## Filtration Systems

- ▶ Trolley mounted bag filters.
- ▶ Mobile filtration systems with pump, pressure gauge and FRL.
- ▶ Custom made filtration systems as per your specifications can be designed and manufactured.

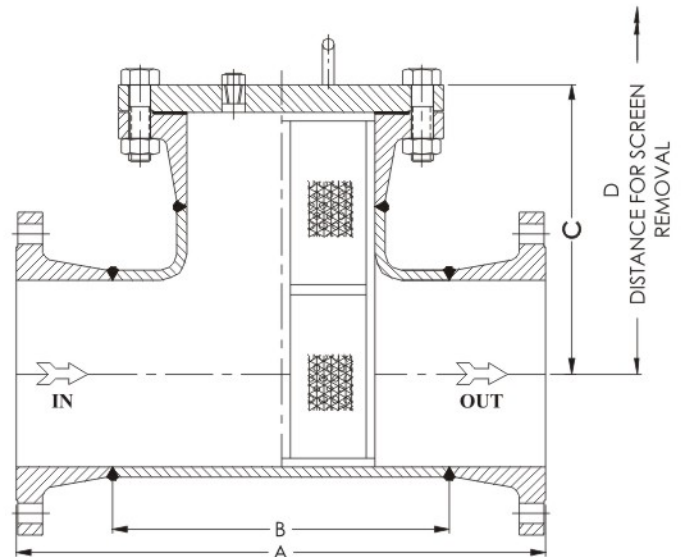




## T Type Strainers



- ▶ **Size:** 1" to 24" Flanged Ends/Buttweld Ends
- ▶ **Moc:** Carbon steel, stainless steel or alloy steel
- ▶ **Pressure Rating:** 150# to 2500#
- ▶ **Features:**
  - Straight through flow design/side flow.
  - Dimensions can be modified to suit customer requirements.
  - Drain provided on strainers.
- ▶ **Options:**
  - Quick opening covers.
  - Cover lifting davits.
  - Upstream and downstream screen supports allow bi-directional flow.



### #Dimension for 150 Class Strainers

Size		Dimension					DRAIN
INCH	MM	A	B	C	D		
1½"	40	238	114	137	270	½" NPT	
2"	50	254	127	146	279	½" NPT	
3"	80	311	172	179	349	½" NPT	
4"	100	362	210	205	413	½" NPT	
5"	125	425	248	237	479	½" NPT	
6"	150	464	286	257	540	½" NPT	
8"	200	559	356	308	660	½" NPT	
10"	250	635	432	348	762	¾" NPT	
12"	300	737	508	400	889	¾" NPT	
14"	350	813	559	441	991	¾" NPT	
16"	400	864	610	468	1067	¾" NPT	
18"	450	965	686	522	1194	¾" NPT	
20"	500	1051	762	568	1305	1" NPT	
24"	600	1168	864	632	1473	1" NPT	

\*We are in continuous process of improving our designs, please refer to certified drawings before placing order.

## Filter Elements

- Stainless steel wire mesh filter elements for T type, Y type and basket strainers.
- Filter elements for already existing housings can be manufactured as per your drawings.



# Temporary Strainers

- **Size:** 1" to 48"  
(To be sandwiched between FF, RF and RTJ flanges)
- **Moc:** Carbon steel, stainless steel or alloy steel
- **Pressure Rating:** 150# to 2500#
- **Three Types of Design are Available:**  
Conical, Flat Hat and Plate Type

Specially designed for filtration of unwanted particles for protection of gas and fluid handling equipments during commissioning or maintenance of plant.

Size	A (O.D.)		B (I.D.)	C	D (Basket Length)		E (Cone Length)	
	150/300#	600#			150%	200%	150%	200%
20	54	64	16	8	29	38	43	57
25	64	70	19	10	43	57	64	84
40	83	92	32	16	57	76	86	114
50	102	108	44	22	76	102	114	152
65	121	127	57	29	86	114	127	170
80	133	146	70	35	108	145	159	216
100	171	191	95	48	135	183	200	270
125	194	238	117	59	171	232	257	356
150	219	263	137	68	216	289	330	432
200	276	318	187	94	272	381	406	559
250	337	397	238	119	356	457	508	686
300	406	454	279	140	432	559	610	838
350	441	483	311	156	457	610	686	914
400	511	555	356	178	533	711	787	1041
450	540	603	400	200	610	813	889	1194
500	597	676	445	222	686	889	991	1346
600	708	784	540	270	813	1067	1194	1600

\*We are in continuous process of improving our designs, please refer to certified drawings before placing order.

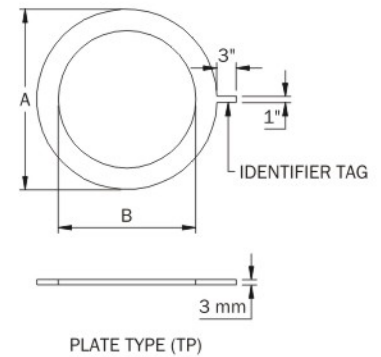
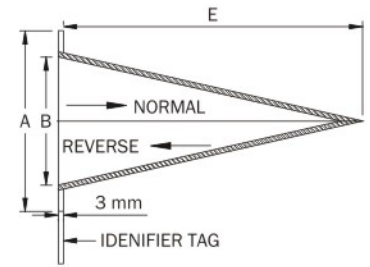
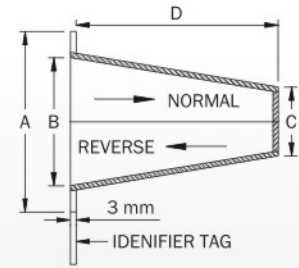


PLATE TYPE (TP)



CONICAL TYPE (TC)



BASKET TYPE (TB)

## Few of Our Clients

<b>CEMENT</b> 	<b>FERTILIZERS</b> 	<b>POWER</b> 	<b>OEM</b> 	<b>AUTOMOBILE</b> 	<b>STEEL</b> 
<b>CHEMICALS</b> 	<b>EPC</b> 	<b>OIL &amp; GAS</b> 	<b>PHARMA &amp; FOOD</b> 		



**WORKS :** ACME Fluid Systems, 152/2, Road No.5, GIDC Kathwada, Ahmedabad-382430, Gujarat (INDIA).  
 Mob.: +91 99796 64455. Ph.: +91 79 22870005.  
 E-mail: arpit@strainersindia.com • mehrishiarpit@gmail.com

**SALES OFFICE :** C-151, 2<sup>nd</sup> Floor, Sector 10, Noida 201301, Uttar Pradesh (India). Ph. : +91 120 4313340/41, Telefax : +91 120 4313342, Mob.: +91 98100 57364.  
 Email : rakesh@strainersindia.com • rakesh810@hotmail.com