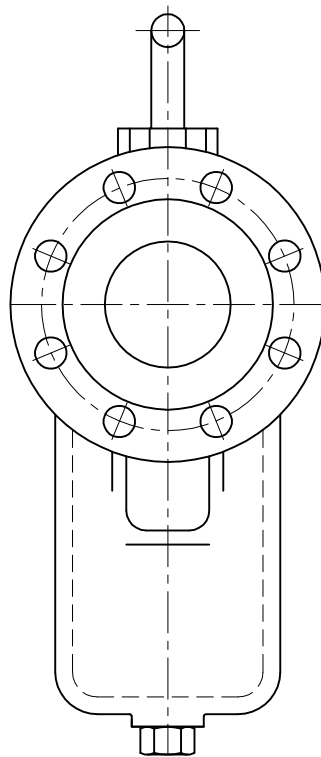
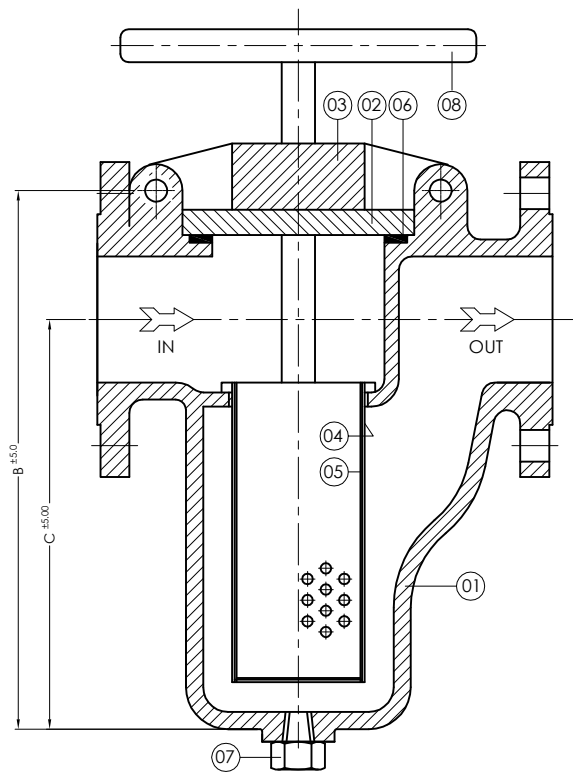


ELEMENT



No.	DESCRIPTION	Carbon steel		Stainless steel		QTY.
		ASTM A216 Gr WCB	ASTM A351 Gr CF8	ASTM A351 CF8M		
01	BODY	ASTM A216 Gr WCB	ASTM A351 Gr CF8	ASTM A351 CF8M	01	
02	COVER	ASTM A105 / ASTM A216 Gr WCB	SS 304	SS 316	01	
03	STRONG BACK	ASTM A105 / ASTM A216 Gr WCB	SS 304	SS 316	01	
04	P.SHEET	SS 304	SS 304	SS 316	01	
05	WIRE MESH	SS 304	SS 304	SS 316	01	
06	COVER GASKET	NITRILE RUBBER			01	
07	DRAIN	A 105	SS 304	SS 316	01	
08	SCREWED HANDLE	MS	SS		01	
09	QUICK RELEASE PIN	MS	SS		02	

DIMENSION

SIZE		A	B	C	Drain
Inch	mm				
1½"	40	200	260	182	¾" NPT
2"	50	260	305	227	1" NPT
3"	80	300	330	250	1" NPT
4"	100	455	495	370	1" NPT
6"	150	570	639	475	1" NPT
8"	200	705	788	590	1½" NPT
10"	250	850	905	680	1½" NPT
12"	300	975	1080	805	2" NPT
16"	400	1150	1410	1120	2" NPT

TECHNICAL DATA:-

1. ALL DIMENSIONS ARE IN mm. IF NOT SPECIFIED.
2. END FLANGE & DRILL I/A/W ASME B 16.5 150# RF.
3. WALL THICKNESS IN ACCORDANCE WITH API 600.
4. TESTING STANDARD IN ACCORDANCE WITH API 598.

SCALE :- NTS	SHEET :- 1:1	DRAWING No.	REV.
FILE :- 01	DATE :- 07/11/2012	AFS-PORTSTR-150#	00
TITLE :- QUICK OPENING BASKET STRAINER ANSI 150#		PROJECTION :-	
 www.strainersindia.com		L - 153,	NAME
		Nr.WATER TANK,	HDS
		G.I.D.C. ODHAV,	DATE
AHMEDABAD.	07/11/12		
	07/11/12		
	07/11/12		