



ACME
FLUID SYSTEMS



AN ISO 9001:2008

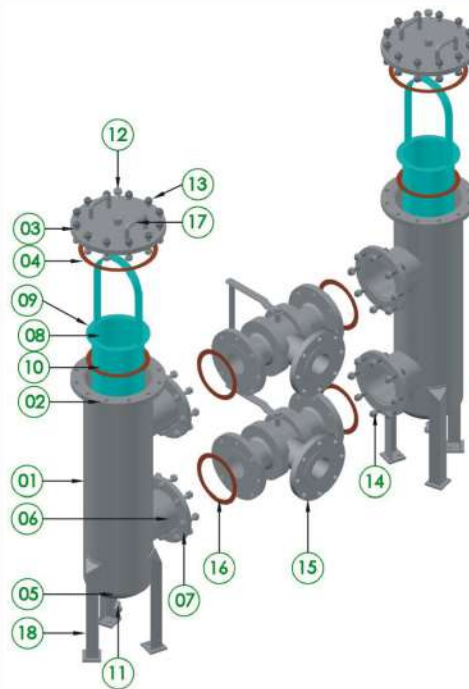
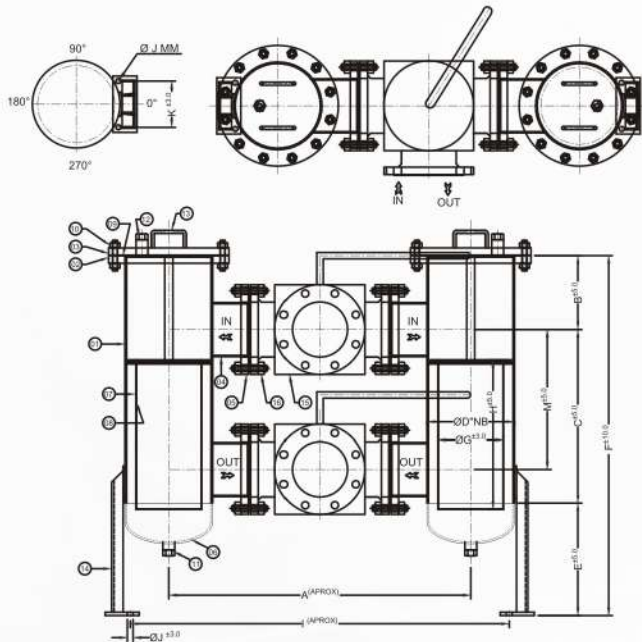


Duplex Basket Strainer

***Our Precision
Your Advantage***

www.strainersindia.com

DUPLEX BASKET STRAINER



A Duplex Basket strainer with three way ball valves is a member of the double basket strainers family. Like all the double basket strainers, this strainer changes its basket when one gets heavy with the collected debris or dirt. It is, sometimes, called the advanced form of double basket strainers because of the presence of 3 way ball valves. The valves are used to control the flow of fluids so that the pressure can be maintained and the solid particles mixed with the fluid gets collected in the preferred basket.

The three way ball valves can be controlled manually as well as electronically as per the convenience and preferences of our clients. We offer various modifications in double basket strainers to meet the "blueprint" of our customers. The three way ball valves play a vital role in connection of ports, however connection of all ports together at one point of time is not possible. The pressure is effectively maintained between 150# and 300#.

FEATURES :

- Continuous flow, No need to stop systems for cleaning
- Low Pressure Loss • Removable Filter element
- Top removal of screen • Wire mesh
- Alteration of Duplex Basket Strainer
- High pressure upto 300#

OPTIONS :

- Hinged cover or davit assembly for easier maintenance
- Drain/Vent Valves • D. P. Tapings / Gauge
- Back-flushing system for manual
- Steam jacket for highly viscous fluids
- Rotated or offset nozzle placement • High pressure capabilities
- Coatings and linings available upon request

SIZE	DIMENSIONS								ELEMENT		HOLE DIMENSION		
INCH	NB	A	B	C	ØD	E	F	M	ØG	H	I	ØJ	K
1"	25	447	105	255	4"	185	545	214	64	238	570	16	100
1-1/2"	40	531	125	285	6"	265	675	227	105	260	684	16	110
2"	50	581	150	316	6"	265	731	266	105	290	734	16	110
2-1/2"	65	636	160	335	6"	255	750	280	105	295	789	16	110

MATERIAL OF CONSTRUCTION

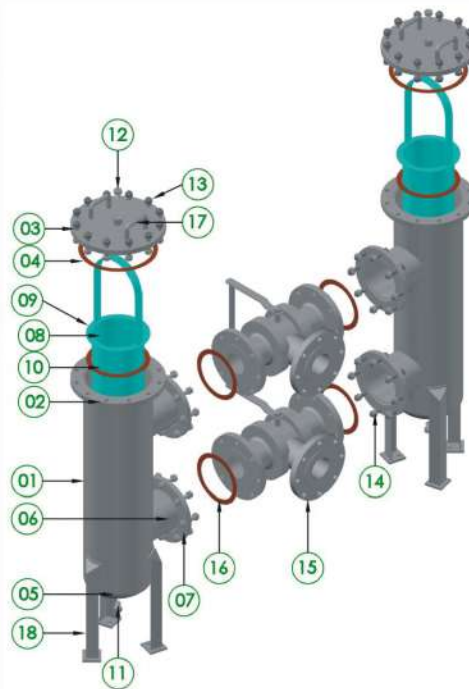
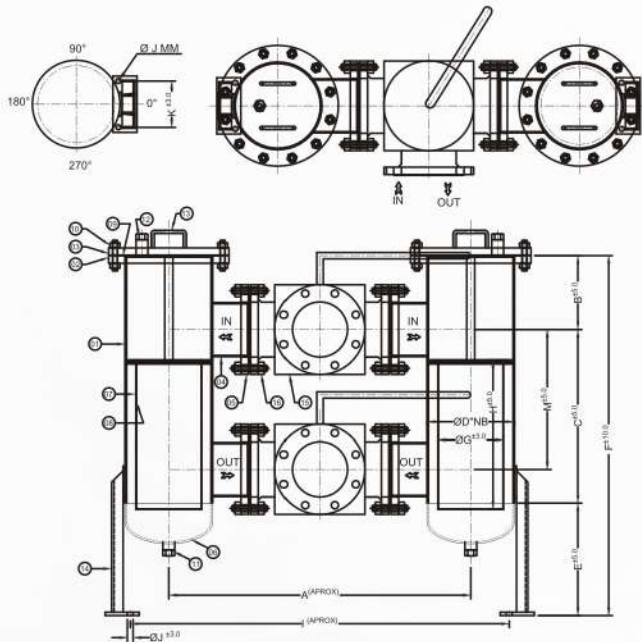
No.	Description	Material	
1	Shell	MS	SS304 SS316
2	Shell Flange	MS	SS304 SS316
3	Cover Flange	MS	SS304 SS316
4	Cover Gasket	Non Asbestos	Non Asbestos Non Asbestos
5	Desghend	MS	SS304 SS316
6	In-Out Nozzle	MS	SS304 SS316
7	Nozzle Flange	MS	SS304 SS316
8	Element	SS304/SS316	SS304 SS316
9	Element Ring	SS304/SS316	SS304 SS316
10	Element Gasket	Non Asbestos	Non Asbestos Non Asbestos
11	Drain	ASTM A105	A182 F304 A182 F316
12	Vent	ASTM A105	A182 F304 A182 F316
13	Stud & Nut (Shell Flange)	ASTM A193/194/B7/2H/IS 1367	SS304 SS316
14	Stud & Nut (Valve Flange)	ASTM A193/194/B7/2H/IS 1367	SS304 SS316
15	3 Way Ball Valve	WCB / CI	CF8 CF8M
16	Valve Gasket	Non Asbestos	Non Asbestos Non Asbestos
17	Cover Handle	MS	SS304 SS316
18	Leg	MS	SS304 SS316

Authorised Dealer



WORKS : ACME Fluid Systems, 152/2, Road No.5, GIDC Kathwada, Ahmedabad-382430, Gujarat (INDIA).
 Ph. : +91 79 22870005 • Mobile : +91 99796 64455. E-mail: arpit@strainersindia.com • mehrishiarpit@gmail.com
SALES OFFICE : C-151, 2nd Floor, Sector 10, Noida 201301, Uttar Pradesh (India).
 Ph. : +91 120 4313341, Telefax : +91 120 4313342, Mob.: +91 98100 57364. Email : rakesh@strainersindia.com

DUPLEX BASKET STRAINER



A Duplex Basket strainer with three way ball valves is a member of the double basket strainers family. Like all the double basket strainers, this strainer changes its basket when one gets heavy with the collected debris or dirt. It is, sometimes, called the advanced form of double basket strainers because of the presence of 3 way ball valves. The valves are used to control the flow of fluids so that the pressure can be maintained and the solid particles mixed with the fluid gets collected in the preferred basket.

The three way ball valves can be controlled manually as well as electronically as per the convenience and preferences of our clients. We offer various modifications in double basket strainers to meet the "blueprint" of our customers. The three way ball valves play a vital role in connection of ports, however connection of all ports together at one point of time is not possible. The pressure is effectively maintained between 150# and 300#.

FEATURES :

- Continuous flow, No need to stop systems for cleaning
- Low Pressure Loss • Removable Filter element
- Top removal of screen • Wire mesh
- Alteration of Duplex Basket Strainer
- High pressure upto 300#

OPTIONS :

- Hinged cover or davit assembly for easier maintenance
- Drain/Vent Valves • D. P. Tapings / Gauge
- Back-flushing system for manual
- Steam jacket for highly viscous fluids
- Rotated or offset nozzle placement • High pressure capabilities
- Coatings and linings available upon request

SIZE	DIMENSIONS								ELEMENT		HOLE DIMENSION		
INCH	NB	A	B	C	ØD	E	F	M	ØG	H	I	ØJ	K
1"	25	447	105	255	4"	185	545	214	64	238	570	16	100
1-1/2"	40	531	125	285	6"	265	675	227	105	260	684	16	110
2"	50	581	150	316	6"	265	731	266	105	290	734	16	110
2-1/2"	65	636	160	335	6"	255	750	280	105	295	789	16	110

MATERIAL OF CONSTRUCTION

No.	Description	Material		
1	Shell	MS	SS304	SS316
2	Shell Flange	MS	SS304	SS316
3	Cover Flange	MS	SS304	SS316
4	Cover Gasket	Non Asbestos	Non Asbestos	Non Asbestos
5	Desghend	MS	SS304	SS316
6	In-Out Nozzle	MS	SS304	SS316
7	Nozzle Flange	MS	SS304	SS316
8	Element	SS304/SS316	SS304	SS316
9	Element Ring	SS304/SS316	SS304	SS316
10	Element Gasket	Non Asbestos	Non Asbestos	Non Asbestos
11	Drain	ASTM A105	A182 F304	A182 F316
12	Vent	ASTM A105	A182 F304	A182 F316
13	Stud & Nut (Shell Flange)	ASTM A193/194/B7/2H/IS 1367	SS304	SS316
14	Stud & Nut (Valve Flange)	ASTM A193/194/B7/2H/IS 1367	SS304	SS316
15	3 Way Ball Valve	WCB / CI	CF8	CF8M
16	Valve Gasket	Non Asbestos	Non Asbestos	Non Asbestos
17	Cover Handle	MS	SS304	SS316
18	Leg	MS	SS304	SS316

Authorised Dealer



WORKS : ACME Fluid Systems, 152/2, Road No.5, GIDC Kathwada, Ahmedabad-382430, Gujarat (INDIA).
 Ph. : +91 79 22870005 • Mobile : +91 99796 64455. E-mail: arpit@strainersindia.com • mehrishiarpit@gmail.com
SALES OFFICE : C-151, 2nd Floor, Sector 10, Noida 201301, Uttar Pradesh (India).
 Ph. : +91 120 4313341, Telefax : +91 120 4313342, Mob.: +91 98100 57364. Email : rakesh@strainersindia.com