



ACME
FLUID SYSTEMS



AN ISO 9001:2008

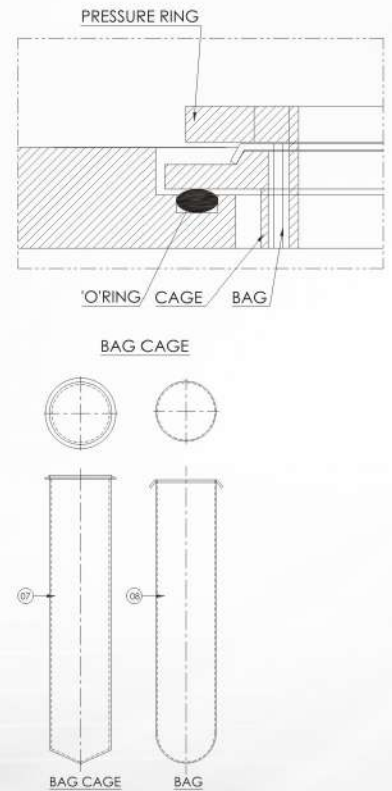
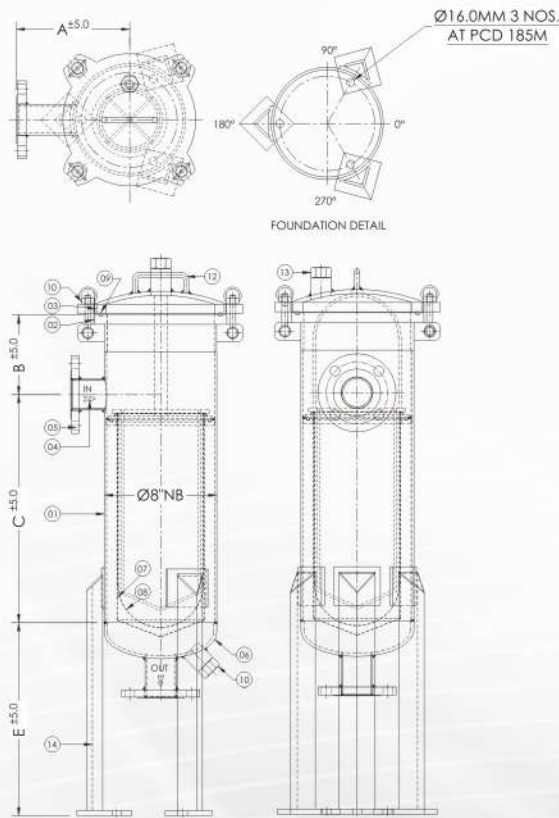
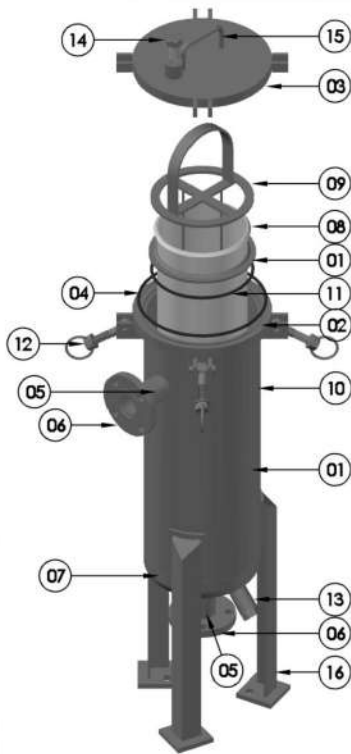


Bag Filter

***Our Precision
Your Advantage***

www.strainersindia.com

BAG FILTER



ACME FLUID SYSTEMS manufactures high quality bag filter housings.

Bag filters are used in applications where you require fine filtration.

We have Single Bag and multiple Bag Housings and our housings are compatible with mostly available bags (PP collar, SS collar, etc). We put a lot of emphasis in design to ensure zero bypass and perfect sealing of bags.

Bag housings suitable upto 12 bags

OPTIONS:

- Hinged cover or davit assembly for easier maintenance
- Drain/Vent Valves • D.P Tapings/ Gauge
- Steam jacket for highly viscous fluids
- Rotated or offset nozzle placement • High pressure capabilities
- Coatings and linings available upon request

Bag 7" x 32" ANSI 150# Bag Filter

SIZE		DIMENSIONS			
INCH	MM	A	B	C	D(Inch)
1"	25	160	155	890	375
1-1/2"	40	175	180	890	375
2"	50	175	180	890	375
2-1/2"	65	200	180	890	375
3"	80	200	180	890	400

FEATURES :

- Fine Filtration capacity
- Housings suitable for most types of bags (PP collar, SS collar, etc)
- Eye Bolt Design for Top Flanges • O ring Construction
- Same Hosing suitable for Stainless steel Elements

MATERIAL OF CONSTRUCTION

No.	Description	SS 304 / 304L	SS 316 / 316L
1	Shell	SS 304 / 304L	SS 316 / 316L
2	Shell Flange	SS 304 / 304L	SS 316 / 316L
3	Cover Flange	SS 304 / 304L	SS 316 / 316L
4	'O' Ring	Nitrile/Neoprene/Viton/Silicon/EPDM	
5	In-Out Nozzle	SS 304 / 304L	SS 316 / 316L
6	Nozzle Flange	SS 304 / 304L	SS 316 / 316L
7	Dish End	SS 304 / 304L	SS 316 / 316L
8	Bag	PP	
9	Bag Pressure Ring	SS 304 / 304L	SS 316 / 316L
10	Support Ring	SS 304 / 304L	SS 316 / 316L
11	'O' Ring	Nitrile/Neoprene/Viton/Silicon/EPDM	
12	Eye Bolt & Nut	ASTM A 193/194 Gr. B7/2H (Zinc Plated)	
13	Drain	SS 304 / 304L	SS 316 / 316L
14	Vent	SS 304 / 304L	SS 316 / 316L
15	Handle	SS 304 / 304L	SS 316 / 316L
16	Leg	SS 304 / 304L	SS 316 / 316L

Authorised Dealer



WORKS : ACME Fluid Systems, 152/2, Road No.5, GIDC Kathwada, Ahmedabad-382430, Gujarat (INDIA).
Ph. : +91 79 22870005 • Mobile : +91 99796 64455. E-mail: arpit@strainersindia.com • mehrishiarpit@gmail.com

SALES OFFICE : C-151, 2nd Floor, Sector 10, Noida 201301, Uttar Pradesh (India).

Ph. : +91 120 4313341, Telefax : +91 120 4313342, Mob.: +91 98100 57364. Email : rakesh@strainersindia.com