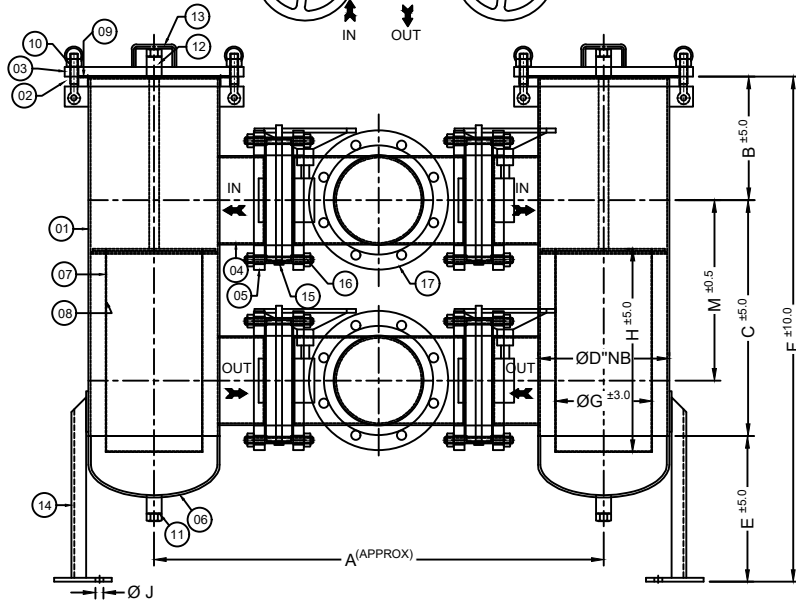


FOUNDATION DETAIL



SIZE		DIMENSION							ELEMENT		PCD	HOLE	NO. OF LEG
INCH	NB	A	B	C	ØD	E	F	M	ØG	H	ØI	ØJ	
3"	80	770	150	455	6"	265	870	325	105	378	---	---	2
3"	80	765	180	432	8"	305	917	350	150	380	185	16	6
4"	100	907	180	448	8"	300	928	375	150	406	185	16	6
5"	125	1075	215	538	10"	350	1103	430	205	465	240	18	6
6"	150	1075	230	538	10"	350	1117	430	205	465	240	18	6
8"	200	1132	300	640	12"	450	1390	500	240	525	270	18	6
10"	250	1560	305	888	16"	385	1578	650	320	760	355	20	6
12"	300	1690	325	820	18"	475	1620	633	390	678	400	22	6
14"	350	1764	370	980	20"	530	1880	700	430	812	455	22	6
16"	400	2008	400	1045	24"	600	2045	800	480	855	555	25	8
20"	500	2340	507	1200	24"	650	2360	860	520	960	555	25	8
20"	500	2486	600	1160	30"	700	2470	860	640	900	680	28	8
24"	600	2640	600	1572	30"	700	2872	1070	640	1290	680	28	8

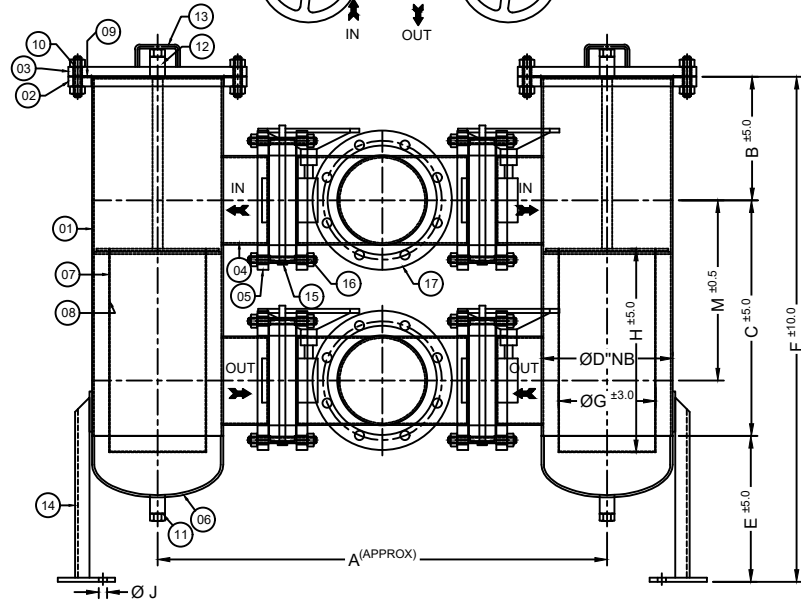
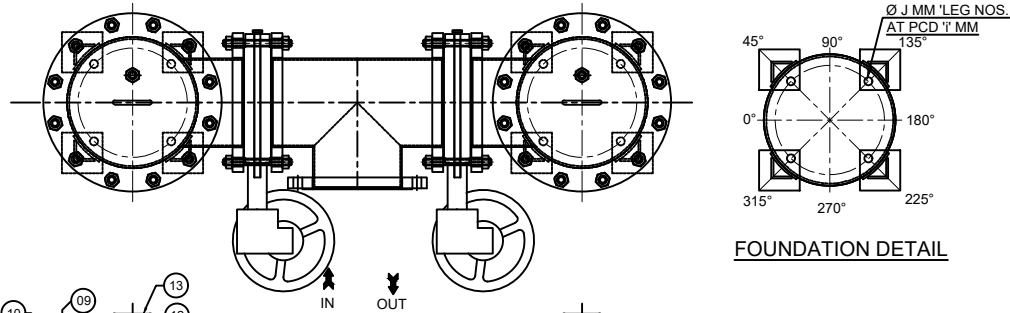
MATERIAL OF CONSTRUCTION

SR. NO.	DISCRIPTION	MATERIAL		QTY.	
		CARBON STEEL	STAINLESS STEEL		
1	SHELL	MS	SS 304	SS 316	2
2	SHELL FLANGE	MS	SS 304	SS 316	2
3	COVER FLANGE	MS	SS 304	SS 316	2
4	IN-OUT NOZZLE	MS	SS 304	SS 316	4
5	NOZZLE FLANGE	MS	SS 304	SS 316	4
6	DISHEND	MS	SS 304	SS 316	2
7	P.SHEET	SS304 (Ø6mm Holes)	SS 304	SS 316	2
8	WIRE MESH	SS304	SS 304	SS 316	2
9	GASKET	NON ASBESTOS			2
10	EYE & BOLT(SHELL)	IS 1367	IS 1367(ZINCPLATED)		--
11	DRAIN	ASTM A 105	SS 304	SS 316	2
12	VENT	ASTM A 105	SS 304	SS 316	2
13	HANDLE	MS	SS 304	SS 316	--
14	LEG	MS	SS 304	SS 316	--
15	B.F.V. VALVE	CI/SG IRON DISC	SS 304	SS 316	4
16	STUD&NUT(VALVE)	IS 1367	IS 1367(ZINCPLATED)		--
17	EQUAL TEE	MS	SS 304	SS 316	2

NOTE :-

1. ALL DIMENSIONS ARE IN mm. IF NOT SPECIFIED.
2. HYDRO TEST PRESSURE 15 kg/cm²
3. END CONNECTION AS PER ANSI B 16.5, 150# RF
4. FILTRATION AREA(P.SHEET) 5 TIMES PIPE INLET AREA.
5. DAVIT SUPPORT FOR COVER IS PROVIDED FOR 16" & ABOVE STRAINER

CLIENT :-		QTY. :-	
P.O.No :- :-		W.O.NO :-	
SCALE :- NTS	SHEET :- 1:1	DRAWING No.	REV.
FILE :- 01	DATE :- 28/03/2026	AFS-2501-150#-QO-STD	00
TITLE :- DUPLEX BASKET FILTER BUTTERFLY VALVE ASA 150#		PROJECTION :-	
 www.strainersindia.com	PLOT NO-152/2 ROAD-5, G.I.D.C.KATHWADA, AHMEDABAD.	NAME	DATE
		ACAD BY	GPP 28/03/2026
		CHED BY	GPP 28/03/2026
		APPD BY	APT 28/03/2026



SIZE		DIMENSION							ELEMENT		PCD HOLE		NO. OF LEG
INCH	NB	A	B	C	ØD	E	F	M	ØG	H	ØI	ØJ	
3"	80	765	180	432	8"	305	917	350	150	380	185	16	6
4"	100	907	180	448	8"	300	928	375	150	406	185	16	6
5"	125	1075	215	538	10"	350	1103	430	205	465	240	18	6
6"	150	1075	230	538	10"	350	1117	430	205	465	240	18	6
8"	200	1132	300	640	12"	450	1390	500	240	525	270	18	6
10"	250	1560	305	888	16"	385	1578	650	320	760	355	20	6
12"	300	1690	325	820	18"	475	1620	633	390	678	400	22	6
14"	350	1764	370	980	20"	530	1880	700	430	812	455	22	6
16"	400	2008	400	1045	24"	600	2045	800	480	855	555	25	8
20"	500	2340	507	1200	24"	650	2360	860	520	960	555	25	8
20"	500	2486	600	1160	30"	700	2470	860	640	900	680	28	8
24"	600	2640	600	1572	30"	700	2872	1070	640	1290	680	28	8

MATERIAL OF CONSTRUCTION					
SR. NO.	DISCRIPTION	CARBON STEEL	STAINLESS STEEL		QTY.
			SS 304	SS 316	
1	SHELL	MS	SS 304	SS 316	2
2	SHELL FLANGE	MS	SS 304	SS 316	2
3	COVER FLANGE	MS	SS 304	SS 316	2
4	IN-OUT NOZZLE	MS	SS 304	SS 316	4
5	NOZZLE FLANGE	MS	SS 304	SS 316	4
6	DISHEND	MS	SS 304	SS 316	2
7	P.SHEET	SS304	SS 304	SS 316	2
8	WIRE MESH	SS304	SS 304	SS 316	2
9	GASKET	NON ASBESTOS			2
10	STUD&NUT(SHELL)	IS 1367	IS 1367(ZINCPLATED)		--
11	DRAIN	ASTM A 105	SS 304	SS 316	2
12	VENT	ASTM A 105	SS 304	SS 316	2
13	HANDLE	MS	SS 304	SS 316	--
14	LEG	MS	SS 304	SS 316	--
15	B.F.V. VALVE	CI/SG IRON DISC	SS 304	SS 316	4
16	STUD&NUT(VALVE)	IS 1367	IS 1367(ZINCPLATED)		--
17	EQUAL TEE	MS	SS 304	SS 316	2

NOTE :-

1. ALL DIMENSIONS ARE IN mm. IF NOT SPECIFIED.
2. HYDRO TEST PRESSURE 15 kg/cm²
3. END CONNECTION AS PER ASME B 16.5, 150# RF
4. FILTRATION AREA(P.SHEET) 5 TIMES PIPE INLET AREA.
5. DAVIT SUPPORT FOR COVER IS PROVIDED FOR 16" & ABOVE STRAINER

CLIENT :-		QTY. :-	
P.O.No :- :-		W.O.NO :-	
SCALE :- NTS	SHEET :- 1:1	DRAWING No.	REV.
FILE :- 01	DATE :- 27/03/2026	AFS-2501-150# - STD	00
TITLE :- DUPLEX BASKET FILTER BUTTERFLY VALVE ASME 150#		PROJECTION :-	
 ACME FLUID SYSTEMS www.strainersindia.com	PLOT NO-152/2, ROAD NO-5, G.I.D.C. KATHWADA, AHMEDABAD.		
	NAME	DATE	
	ACAD BY	GPP 27/03/2026	
CHED BY	GPP 27/03/2026		
APPD BY	APT 27/03/2026		