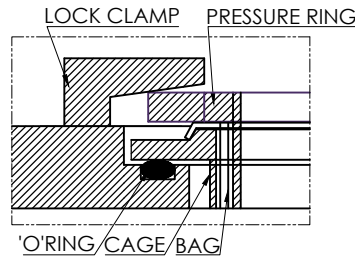
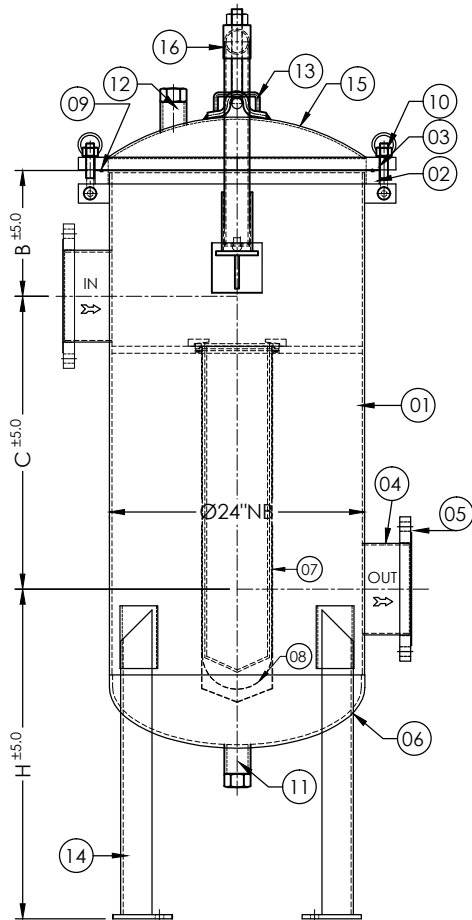
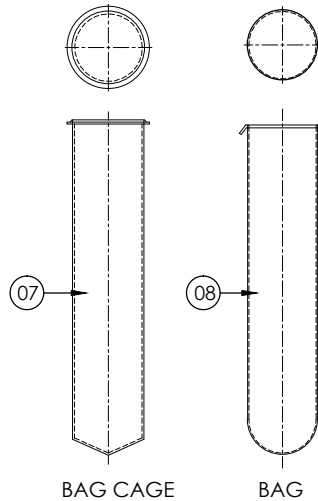


FOUNDATION DETAIL



BAG LOCK CLAMP



MATERIAL OF CONSTRUCTION

SR. NO.	DISCRIPTION	MATERIAL		QTY.
		CARBON STEEL	STAINLESS STEEL	
1	SHELL	MS	SS 304 / SS 316	1
2	SHELL FLANGE	MS	SS 304 / SS 316	1
3	COVER FLANGE	MS	SS 304 / SS 316	1
4	IN-OUT NOZZLE	MS	SS 304 / SS 316	2
5	NOZZLE FLANGE	MS	SS 304 / SS 316	2
6	DISHEND	MS	SS 304 / SS 316	1
7	BAG CAGE	SS304 (Ø6 HOLES)	SS 304 / SS 316	5
8	BAG	PP	(Ø7" x 32" LONG)	5
9	'O' RING	EPDM		1
10	EYE BOLT & NUT	IS 1367		20
11	DRAIN	ASTM A 105	SS 304 / SS 316	1
12	VENT	ASTM A 105	SS 304 / SS 316	1
13	HANDLE	MS	SS 304 / SS 316	2
14	LEG	MS	SS 304 / SS 316	4
15	CROWN	MS	SS 304 / SS 316	1
16	DAVIT ARM	MS	SS 304 / SS 316	1

SIZE		DIMENSION			
INCH	MM	A	B	C	H
3"	80	820	225	680	825
4"	100	840	250	680	825
5"	125	850	250	695	825
6"	150	870	275	700	825
8"	200	900	300	700	850

NOTE :- ALL DIMENSIONS ARE IN mm IF NOT SPECIFIED.

CLIENT :-		QTY :-	
P.O. No :-		W.O.NO. :-	
SCALE :-	SHEET :-	DRAWING No.	REV.
FILE :-	DATE :- 19/12/2015	AFS-2503-150# 5BAG	00
TITLE :- 5BAG ANSI 150# BAG TYPE FILTER FOR		PROJECTION :-	
 www.strainersindia.com	PLOT NO-152/2	NAME	DATE
	ROAD-5,	ACAD BY GPP	19/12/15
	G.I.D.C.KATHWADA,	CHD BY GPP	19/12/15
AHMEDABAD.	APPD BY APT	19/12/15	