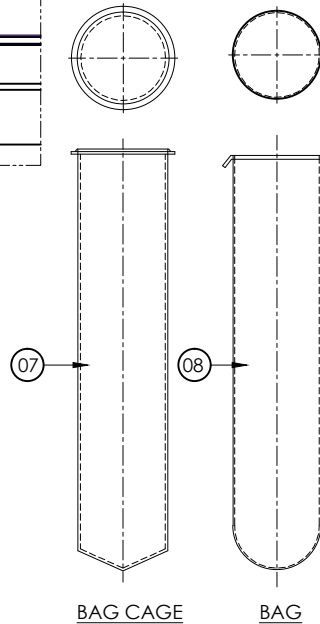
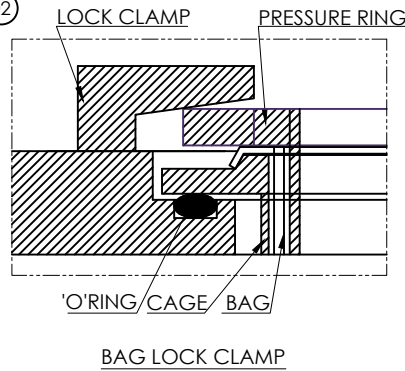
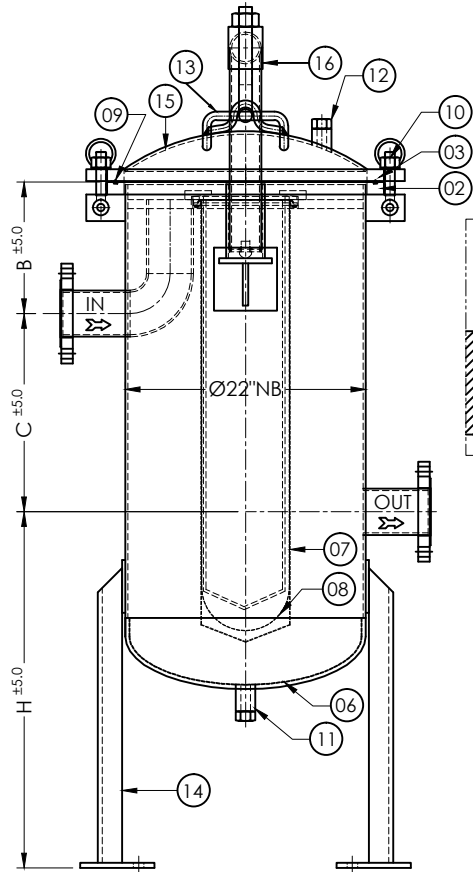


FOUNDATION DETAIL



BAG CAGE

BAG

MATERIAL OF CONSTRUCTION

SR. NO.	DISCRIPTION	MATERIAL		QTY.
		CARBON STEEL	STAINLESS STEEL	
1	SHELL	MS	SS 304 SS 316	1
2	SHELL FLANGE	MS	SS 304 SS 316	1
3	COVER FLANGE	MS	SS 304 SS 316	1
4	IN-OUT NOZZLE	MS	SS 304 SS 316	2
5	NOZZLE FLANGE	MS	SS 304 SS 316	2
6	DISHEND	MS	SS 304 SS 316	1
7	BAG CAGE	SS304(Ø6HOLE)	SS 304 SS 316	4
8	BAG	PP	(Ø7" x 32"LONG)	4
9	'O' RING	EPDM		1
10	EYE BOLT & NUT	IS 1367	IS 1367	8
11	DRAIN	ASTM A 105	SS 304 SS 316	1
12	VENT	ASTM A 105	SS 304 SS 316	1
13	HANDLE	MS	SS 304 SS 316	2
14	LEG	MS	SS 304 SS 316	4
15	CROWN	MS	SS 304 SS 316	1
16	DAVIT ARM	MS	SS 304 SS 316	1

SIZE		DIMENSION			
INCH	MM	A	B	C	H
1 1/2"	40	725	175	560	460
2"	50	750	175	540	460
2 1/2"	65	760	200	540	460
3"	80	775	225	500	460

NOTE :- ALL DIMENSIONS ARE IN mm IF NOT SPECIFIED.

CLIENT :-		QTY:-	
P.O. No:-		W.O.NO.:-	
SCALE :-	SHEET :-	DRAWING No.	REV.
FILE :-	DATE :- 18/12/2015	AFS-2503-150#4BAG	00
TITLE :- 4 BAG ANSI 150# BAG TYPE FILTER FOR		PROJECTION :-	
 ACME FLUID SYSTEMS www.strainersindia.com	PLOT NO-152/2	NAME	
	ROAD-5,G.I.D.C.	GPP	DATE
	KATHWADA,	GPP	18/12/15
AHMEDABAD.	APT	18/12/15	