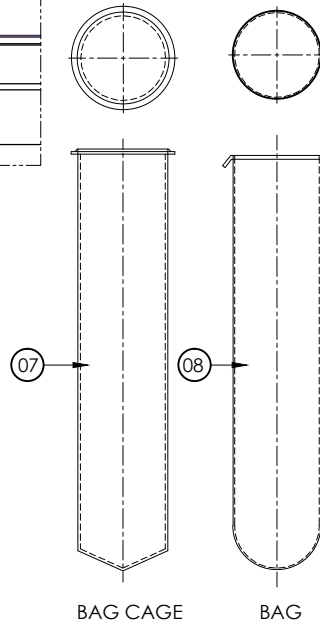
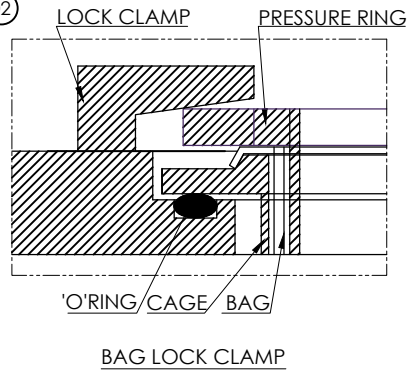
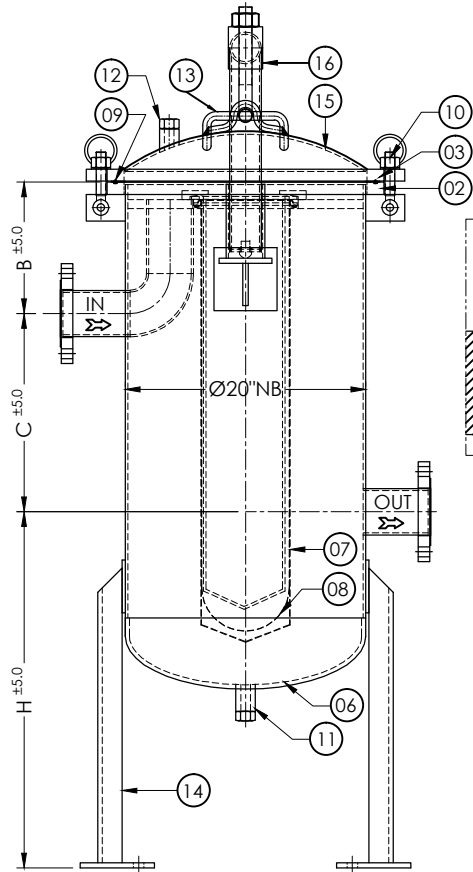


FOUNDATION DETAIL



MATERIAL OF CONSTRUCTION

SR. NO.	DISCRIPTION	MATERIAL		QTY.
		CARBON STEEL	STAINLESS STEEL	
1	SHELL	MS	SS 304 SS 316	1
2	SHELL FLANGE	MS	SS 304 SS 316	1
3	COVER FLANGE	MS	SS 304 SS 316	1
4	IN-OUT NOZZLE	MS	SS 304 SS 316	2
5	NOZZLE FLANGE	MS	SS 304 SS 316	2
6	DISHEND	MS	SS 304 SS 316	1
7	BAG CAGE	SS304(Ø6HOLE)	SS 304 SS 316	3
8	BAG	PP	(Ø7" x 32"LONG)	3
9	'O' RING	EPDM		1
10	EYE BOLT & NUT	IS 1367		8
11	DRAIN	ASTM A 105	SS 304 SS 316	1
12	VENT	ASTM A 105	SS 304 SS 316	1
13	HANDLE	MS	SS 304 SS 316	2
14	LEG	MS	SS 304 SS 316	4
15	CROWN	MS	SS 304 SS 316	1
16	DAVIT ARM	MS	SS 304 SS 316	1

SIZE		DIMENSION			
INCH	MM	A	B	C	H
1 1/2"	40	680	175	585	440
2"	50	735	175	585	440
2 1/2"	65	750	200	560	440
3"	80	755	225	535	440
4"	100	775	250	500	440

NOTE :- ALL DIMENSIONS ARE IN mm IF NOT SPECIFIED.

CLIENT :-		QTY:-	
P.O. No:-		W.O.NO.:-	
SCALE :-	SHEET :-	DRAWING No.	REV.
FILE :-	DATE :- 09/12/2015	AFS-2503-150#3BAG	00
TITLE :- 3 BAG ANSI 150# BAG TYPE FILTER FOR		PROJECTION :-	
 <b>ACME</b> FLUID SYSTEMS www.strainersindia.com	PLOT NO-152/2	NAME	
	ROAD-5,G.I.D.C.	GPP	DATE
	KATHWADA,	GPP	09/12/15
AHMEDABAD.	APT	09/12/15	