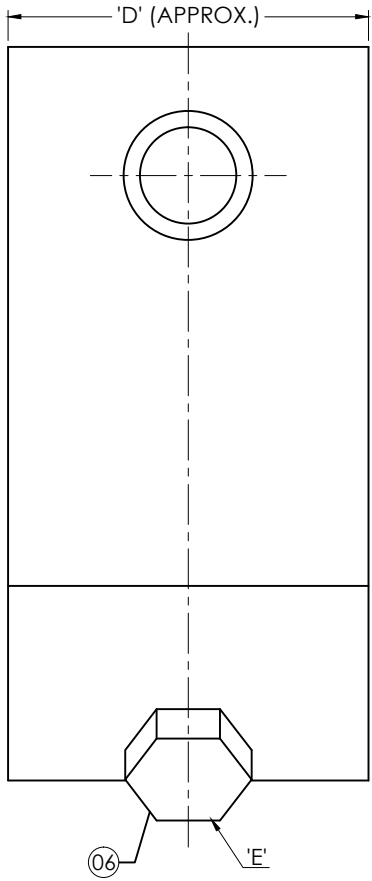
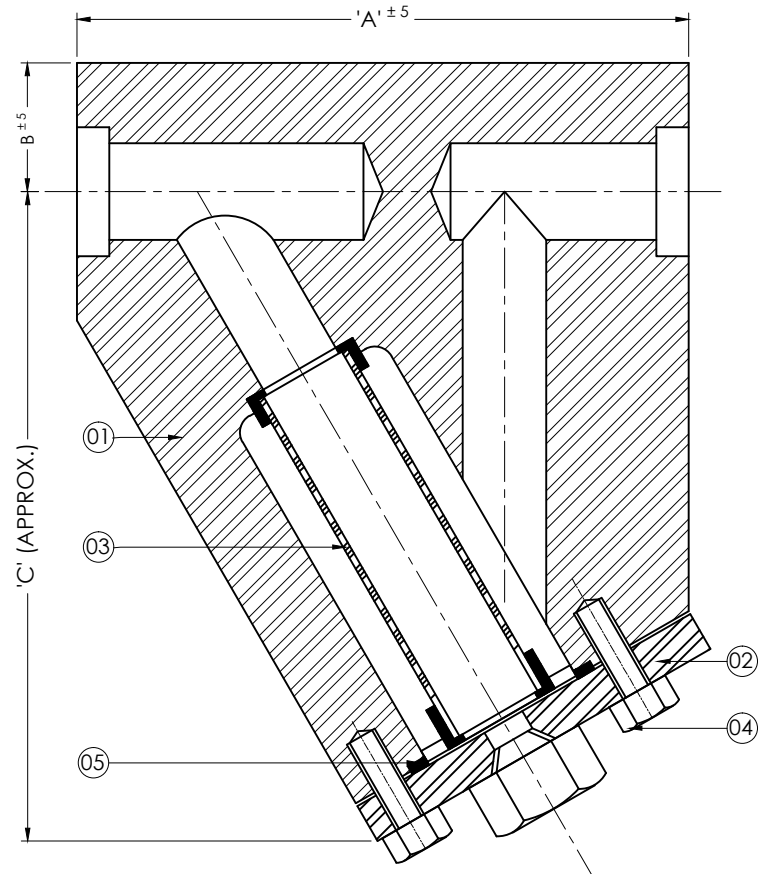


MOC					
Sr. No.	DESCRIPTION	CARBON STEEL	SS 304	SS 316	QTY
1	Body	ASTM A 105	ASTM A 182 F 304	ASTM A 182 F 316	1
2	Cover	ASTM A 105	ASTM A 182 F 304	ASTM A 182 F 316	1
3	Element	SS 304	SS 304	SS 316	1
4	BOLT	ASTM A 193 Gr.B7	ASTM A 193 Gr.B7 (Zinc Plated)	ASTM A 193 Gr.B7 (Zinc Plated)	--
5	Gasket	SS 316 SPW/NON ASBESTOS	SS 316 SPW WITH GR FILLER	SS 316 SPW WITH GR FILLER	1
6	Drain Plug	ASTM A 105	ASTM A 182 F304	ASTM A 182 F316	1



TECHNICAL DATA:-  
1. TESTING STANDARD IN ACCORDANCE WITH API 598.

NOTE:-  
1. ALL DIMENSIONS ARE IN mm. IF NOT SPECIFIED.  
2. M.O.C. AS PER PROCESS REQUIREMENT.

\* WE ARE CONTINUOUSLY IMPROVING OUR PRODUCT.  
WE RESERVE THE RIGHT TO CHANGE DETAIL WITH OUT  
PRIOR NOTICE.

SIZE		Dimension				Drain	Weight (APROX.) Kg.
in	mm	A	B	C	D	E	
1/2"	15	95	20	106	56	1/2"	4 kg.
3/4"	20	147	35	137	77	1/2"	10 kg.
1"	25	147	35	137	77	1/2"	10 kg.
1 1/2"	40	175	35	195	95	1/2"	20 kg
2"	50	210	50	210	118	1/2"	30.425 kg

NOTE :- ALL DIMENSIONS ARE IN mm. IF NOT SPECIFIED.

CLIENT :-			
P.O.No :-		QTY. :-	
SCALE :- 1:1	SHEET :- 1:1	DRAWING No.	REV.
FILE :- 01	DATE :- 18/09/2015	AFS-2515-800#-STD	00
TITLE :- G.A. Drg. SOCKET WELD ENDS STRAINER 800#		PROJECTION :-	
 PLOT NO-152/2 ROAD-5,G.I.D.C., KATHWADA, AHMEDABAD. www.strainersindia.com	NAME	DATE	
	ACAD BY HDS	18/09/15	
	CHED BY HDS	18/09/15	
	APPD BY AM	18/09/15	