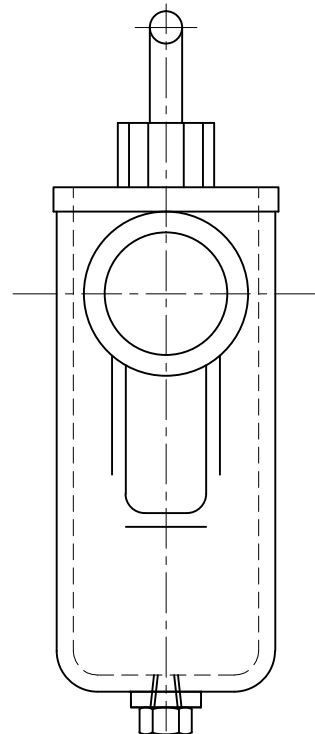
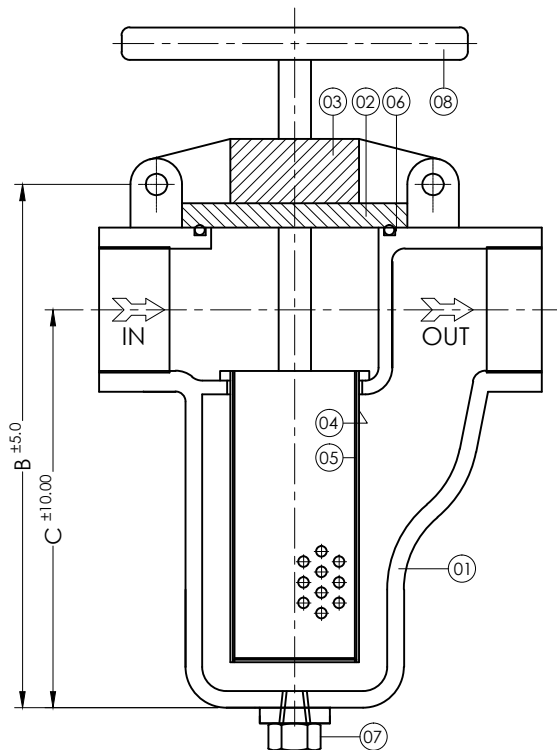


ELEMENT



No.	DESCRIPTION	Carbon steel	QTY.
01	BODY	ASTM A216 Gr WCB	01
02	COVER	ASTM A216 Gr WCB / ASTM A105	01
03	STRONG BACK	ASTM A216 Gr WCB	01
04	P.SHEET	SS 304	01
05	WIRE MESH	SS 304	01
06	"O" RING	NITRILE RUBBER	01
07	DRAIN	ASTM A 105	01
08	SCREWED HANDLE	MS	01
09	QUICK RELEASE PIN	MS	02

SIZE		DIMENSION				
IN	MM	A	B	C	Drain	
¾"	20	195	215	150	¾"	
1"	25	195	215	150	¾"	
1 ¼"	32	250	255	180	1"	
1 ½"	40	250	255	180	1"	
2"	50	260	290	240	1"	

* END CONNECTION SCREWED END TO BSP
 * HYDROTEST PRESSURE :- 31kg/cm²

1. ALL DIMENSIONS ARE IN mm. IF NOT SPECIFIED.

CLIENT :-		QTY.:-	
P.O.No :-		W.O.No :-	
SCALE :- NTS	DATE :- 22/08/2014	DRAWING No. AFS-2511-SE	REV. 00
TITLE :- G.A. DRAWING POT STRAINER SCREWED END		PROJECTION :-	
 www.strainersindia.com	PLOT NO-152/2 ROAD-5,G.I.D.C., KATHWADA, AHMEDABAD.	NAME	DATE
		ACAD BY BJS	22/08/14
		CHED BY BJS	22/08/14
		APPD BY AM	22/08/14