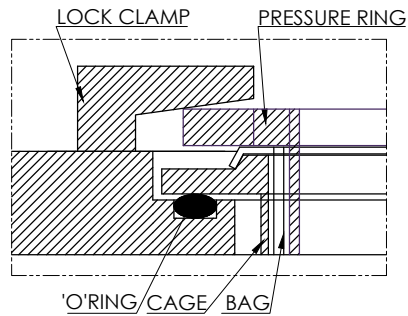
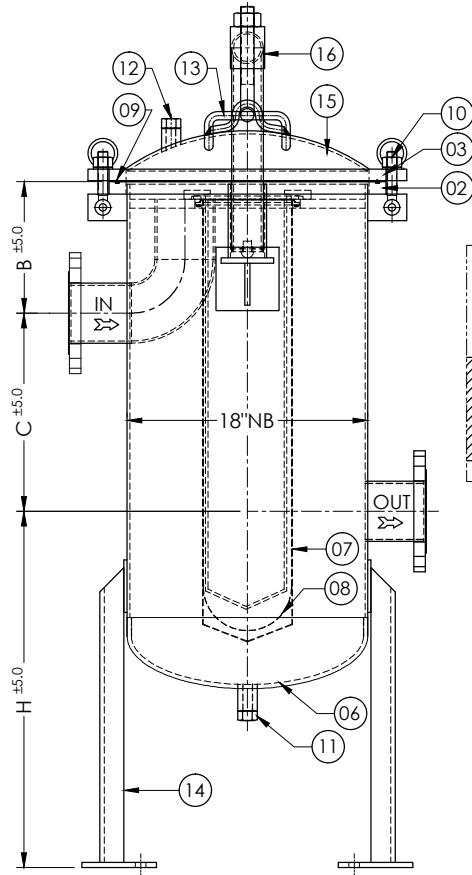
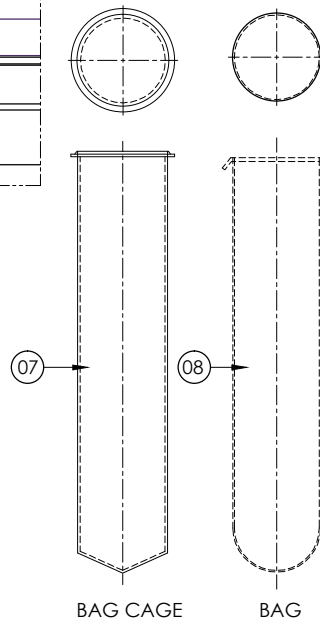


FOUNDATION DETAILS.



BAG LOCK CLAMP



BAG CAGE

BAG

MATERIAL OF CONSTRUCTION

SR. NO.	DISCRIPTION	CARBON STEEL	STAINLESS STEEL		QTY.
			SS 304	SS 316	
1	SHELL	MS	SS 304	SS 316	1
2	SHELL FLANGE	MS	SS 304	SS 316	1
3	COVER FLANGE	MS	SS 304	SS 316	1
4	IN-OUT NOZZLE	MS	SS 304	SS 316	2
5	NOZZLE FLANGE	MS	SS 304	SS 316	2
6	DISHEND	MS	SS 304	SS 316	1
7	BAG CAGE	SS304(Ø6MM HOLE)	SS 304	SS 316	2
8	BAG	PP	(Ø7" x 32"LONG)		2
9	'O' RING	EPDM			1
10	EYE BOLT & NUT	IS 1367			8
11	DRAIN	ASTM A 105	SS 304	SS 316	1
12	VENT	ASTM A 105	SS 304	SS 316	1
13	HANDLE	MS	SS 304	SS 316	2
14	LEG	MS	SS 304	SS 316	3
15	CROWN	MS	SS 304	SS 316	1
16	DAVIT ARM	MS	SS 304	SS 316	1

SIZE		DIMENSION			
INCH	MM	A	B	C	H
1-1/2"	40	620	165	500	650
2"	50	630	200	500	625
2-1/2"	65	640	225	500	600
3"	80	650	225	500	595
4"	100	680	225	450	645

NOTE :- ALL DIMENSIONS ARE IN mm IF NOT SPECIFIED.

CLIENT :-		QTY:-	
P.O. No:-		W.O.No.:-	
SCALE :-	SHEET :-	DRAWING No.	REV.
FILE :-	DATE :- 09/12/2015	AFS-2503-150#-2BAG	00
TITLE :- 2 BAG ANSI 150# BAG TYPE FILTER FOR		PROJECTION :-	
 PLOT NO-152/2 ROAD-5, G.I.D.C.KATHWADA, AHMEDABAD. www.strainersindia.com	NAME	DATE	
	ACAD BY GPP	09/12/15	
	CHED BY GPP	09/12/15	
APPD BY APT	09/12/15		