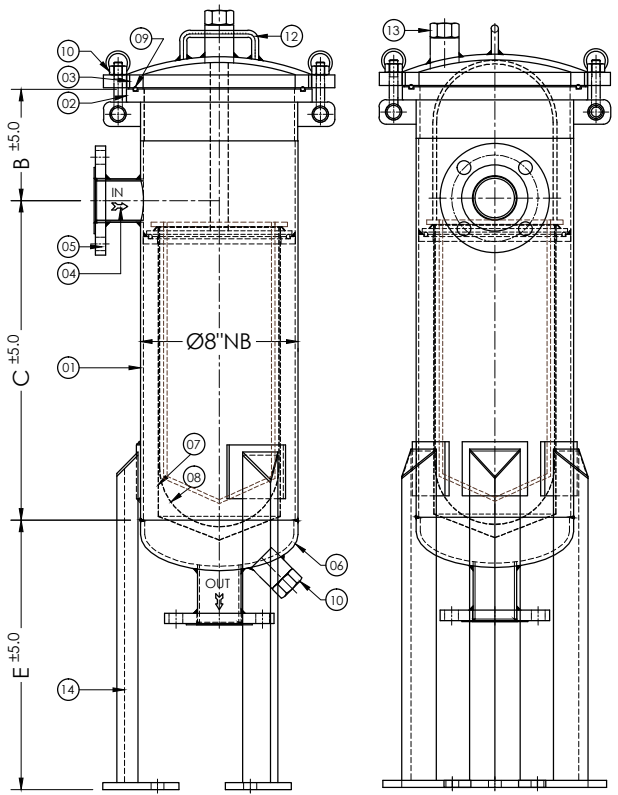
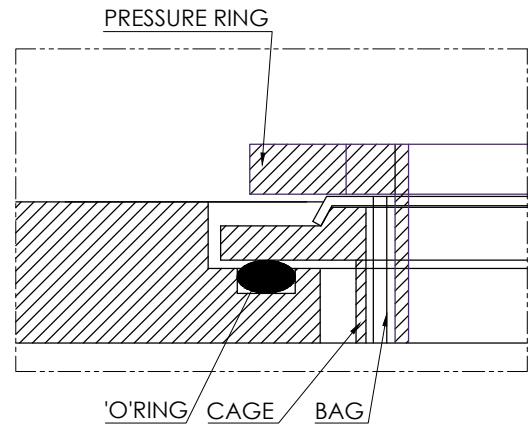
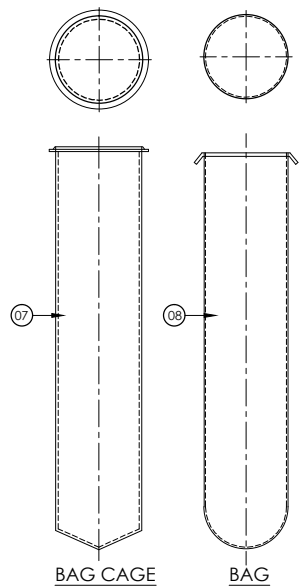


Ø16.0MM 3 NOS.
AT PCD 185M



BAG CAGE



BAG CAGE

BAG

MATERIAL OF CONSTRUCTION

SR. NO.	DISCRIPTION	MATERIAL		QTY.
		CARBON STEEL	STAINLESS STEEL	
1	SHELL	MS	SS 304 SS 316	1
2	SHELL FLANGE	MS	SS 304 SS 316	1
3	COVER FLANGE	MS	SS 304 SS 316	1
4	IN-OUT NOZZLE	MS	SS 304 SS 316	2
5	NOZZLE FLANGE	MS	SS 304 SS 316	2
6	DISHEND	MS	SS 304 SS 316	1
7	BAG CAGE	SS304(Ø6HOLE)	SS 304 SS 316	1
8	BAG	PP	(Ø7" x 32"LONG)	1
9	'O' RING	EPDM		1
10	EYE BOLT & NUT	IS 1367		4
11	DRAIN	ASTM A 105	SS 304 SS 316	1
12	VENT	ASTM A 105	SS 304 SS 316	1
13	HANDLE	MS	SS 304 SS 316	1
14	LEG	MS	SS 304 SS 316	3

SIZE		DIMENSION			
INCH	MM	A	B	C	ØE
1"	25	160	155	890	375
1-1/2"	40	175	180	890	375
2"	50	175	180	890	375
2-1/2"	65	200	180	890	375
3"	80	200	180	890	400

NOTE :- ALL DIMENSIONS ARE IN mm IF NOT SPECIFIED.

CLIENT :-		QTY:-	
P.O. No:-		W.O.NO.:-	
SCALE :-	SHEET :-	DRAWING No.	REV.
FILE :-	DATE :- 14/12/2015	AFS-2503-150#1BAG	00
TITLE :- 1BAG ANSI 150# BAG TYPE FILTER FOR		PROJECTION :-	
 ACME FLUID SYSTEMS www.strainersindia.com	PLOT NO-152/2	NAME	DATE
	ROAD-5,G.I.D.C.	ACAD BY GPP	14/12/15
	KATHWADA, AHMEDABAD.	CHEK BY GPP	14/12/15
		APPD BY APT	14/12/15